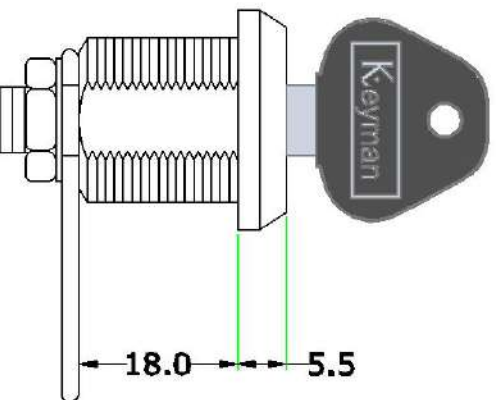
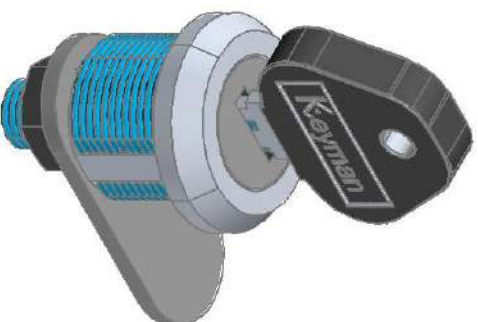
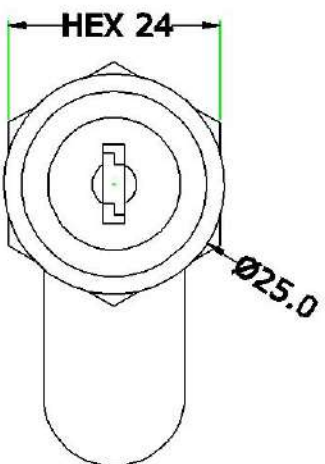
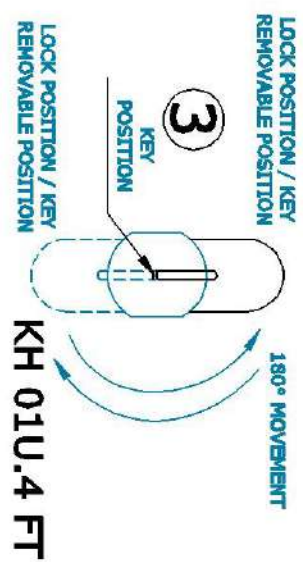
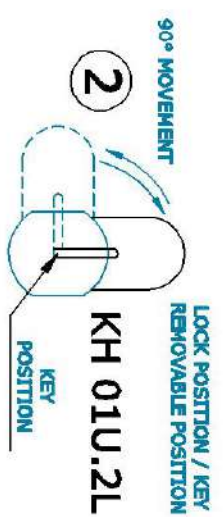
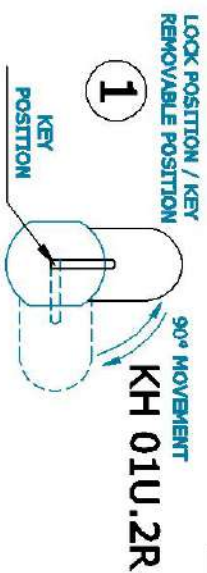
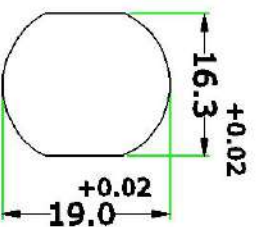


ALL DIMENSIONS IN MM



CUT - OUT



(WASHER THICKNESS.) : 2.5mm
APPLICATION DRAWING FOR MODEL NO.
KH 01U.2L / KH 01U.2R / KH 01U.4 FT
(CAM LOCK)