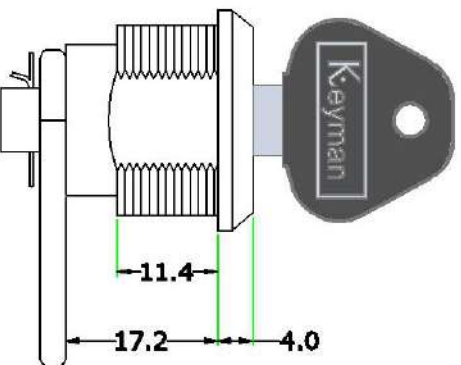
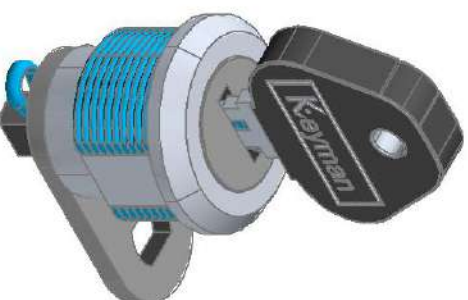
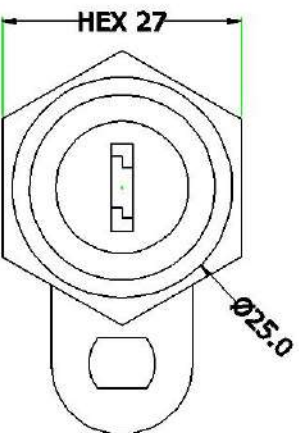
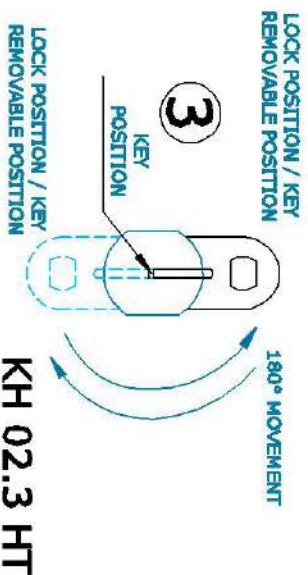
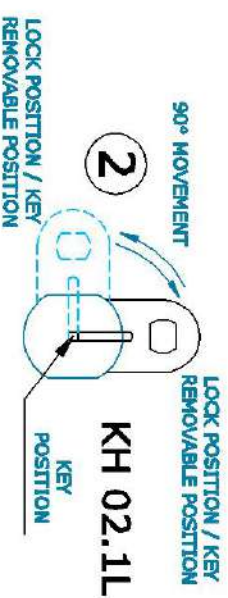
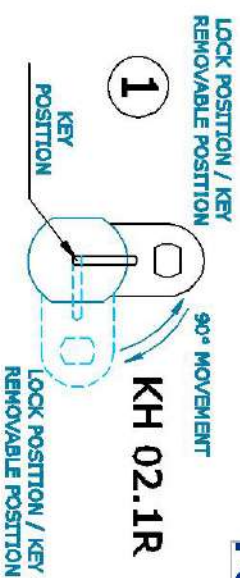
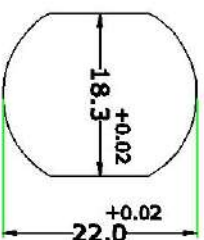


ALL DIMENSIONS IN MM



CUT-OUT



(WASHER THICKNESS.) : 2.5mm

APPLICATION DRAWING FOR MODEL NO. KH 02.1L /

KH 02.1R / KH 02.3 HT (CAM LOCK)

ALL CAM LOCK LEVERS ON PAGE NO. HH-02 & HH-03 HA - 06