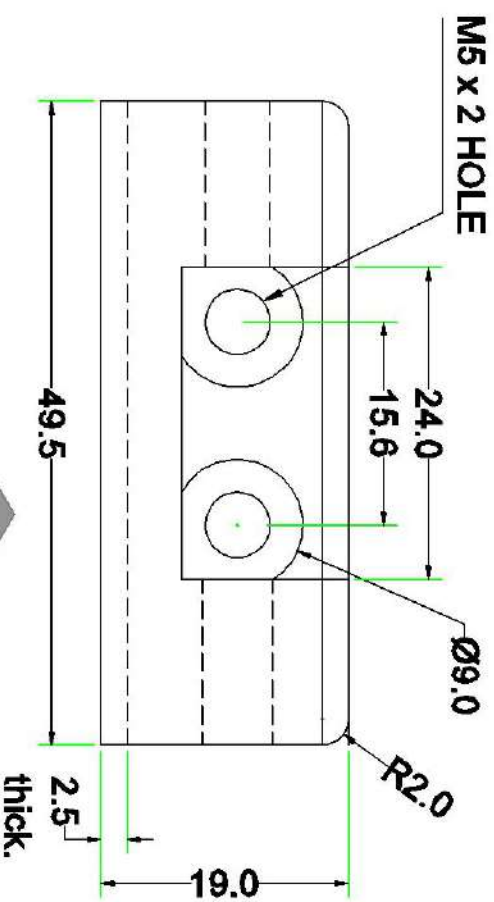
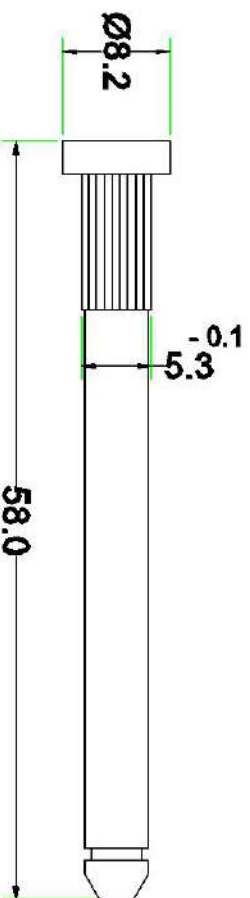
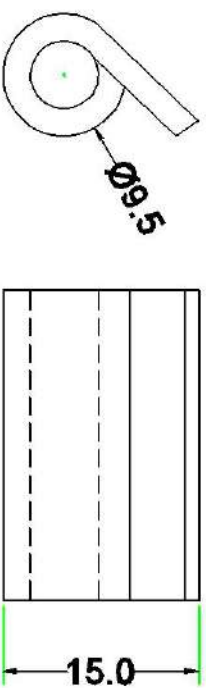
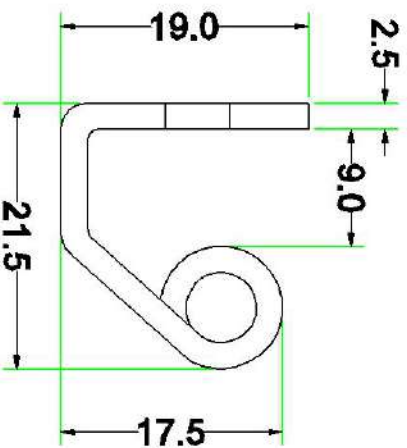
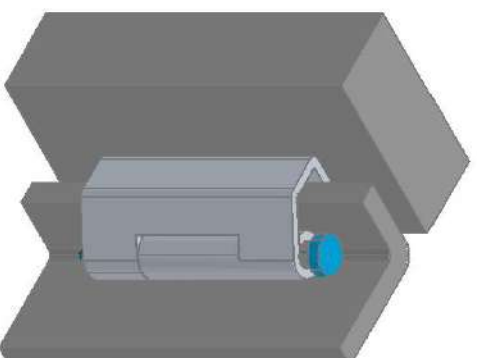


ALL DIMENSIONS IN MM



COUNTER SUNK



APPLICATION DRAWING FOR MODEL
NO. KP 11.2 1918 U 2H (M.S HINGE)



ALL RIGHTS RESERVED IN FAVOUR
OF KEYMAN LOCKING DEVICES
YEAR : 2018



PC - 05