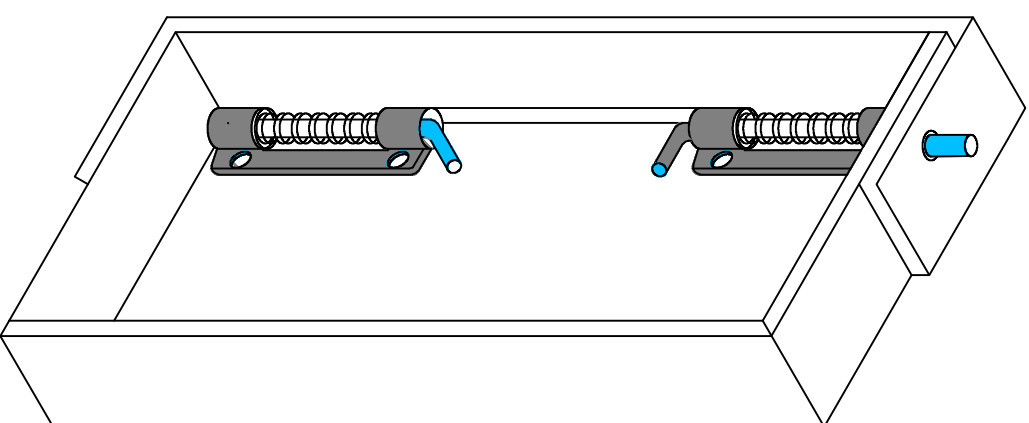
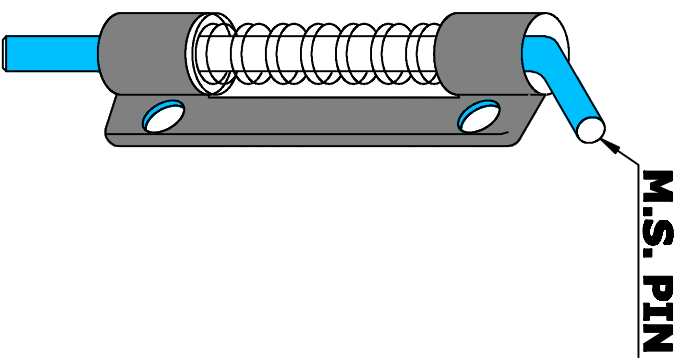
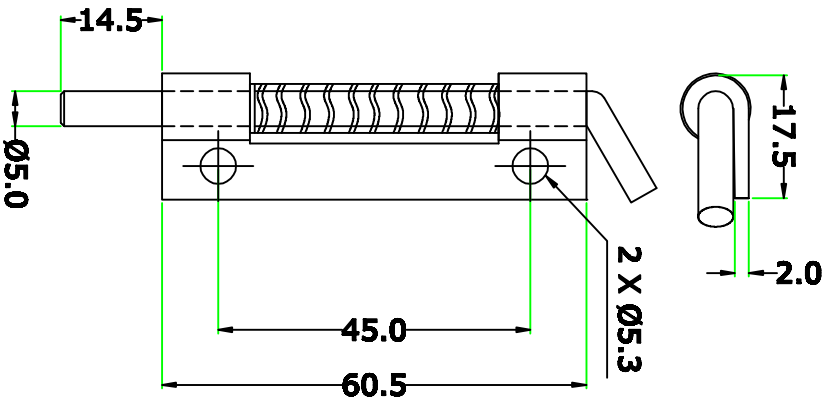


ALL DIMENSIONS IN MM



APPLICATION DRAWING FOR MODEL  
NO. KP 11.5 M/S ( M.S / S.S HINGE )