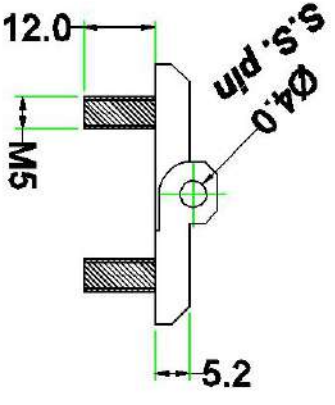
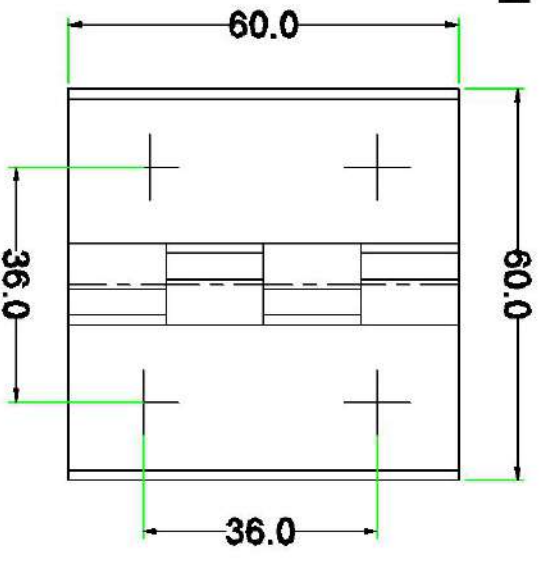
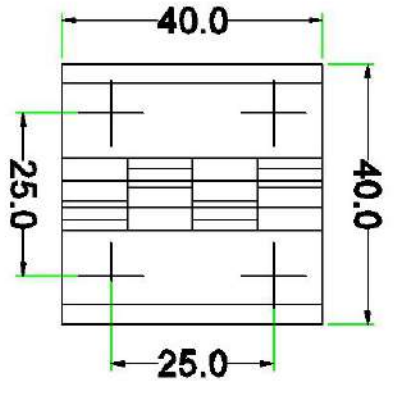
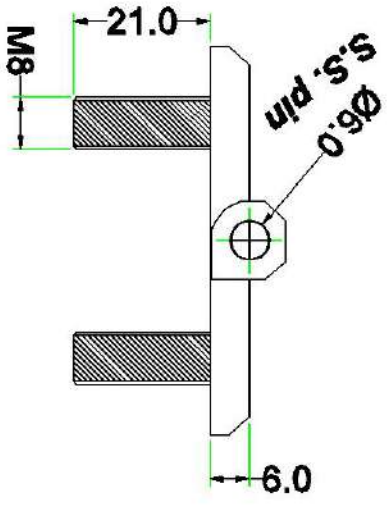


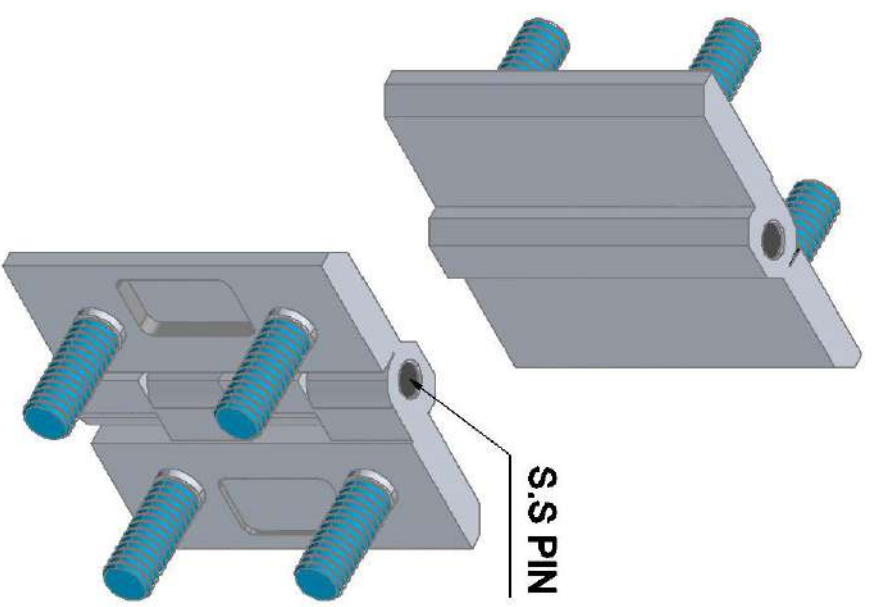
ALL DIMENSIONS IN MM



KP 18.1 B/B



KP 18.4 B/B



APPLICATION DRAWING FOR MODEL NO.  
 KP 18.1 B/B & 18.4 B/B (CASTED HINGE)