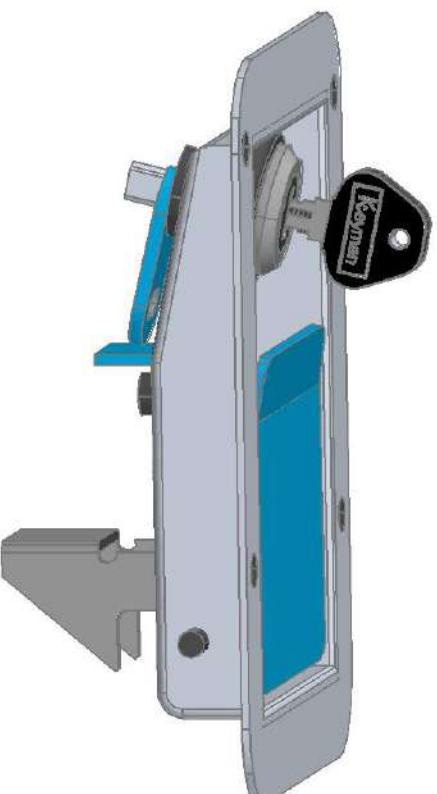
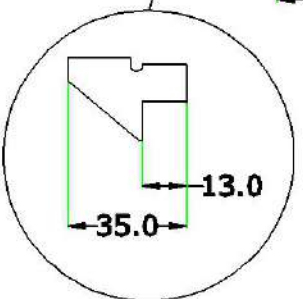
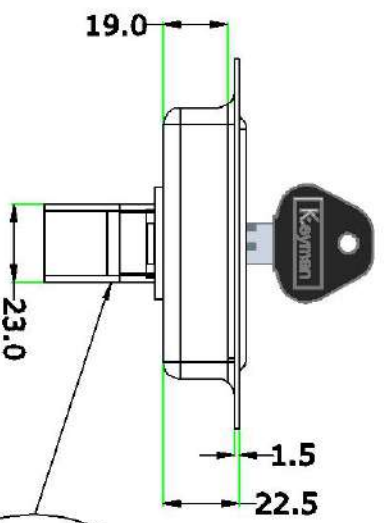
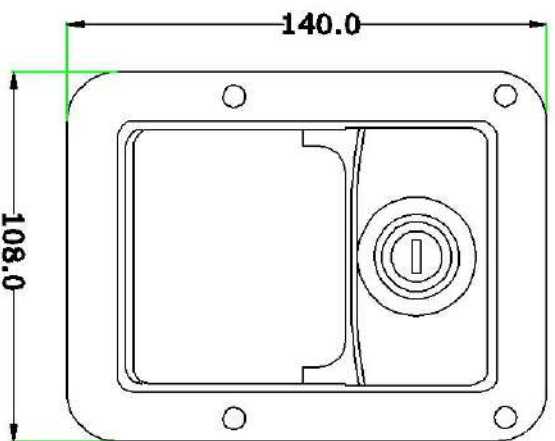
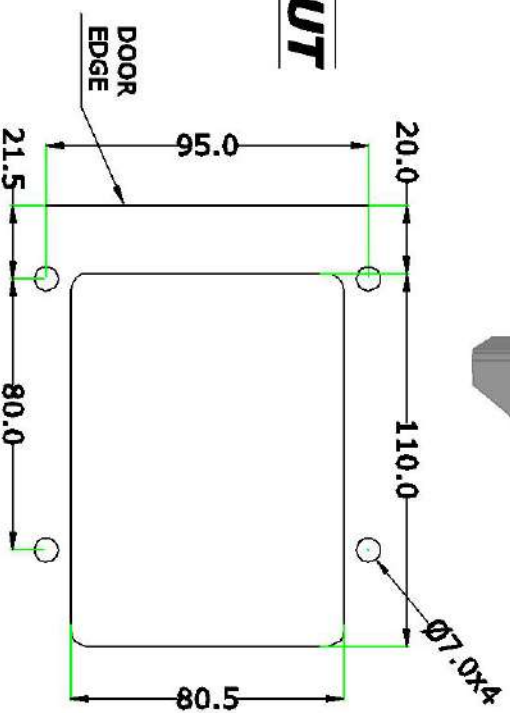


ALL DIMENSIONS IN MM



CUT - OUT



APPLICATION DRAWING FOR MODEL
NO. KP 08.1 S & KP 08.1 M (SLAM
LATCH HOOK TYPE)

PE - 01