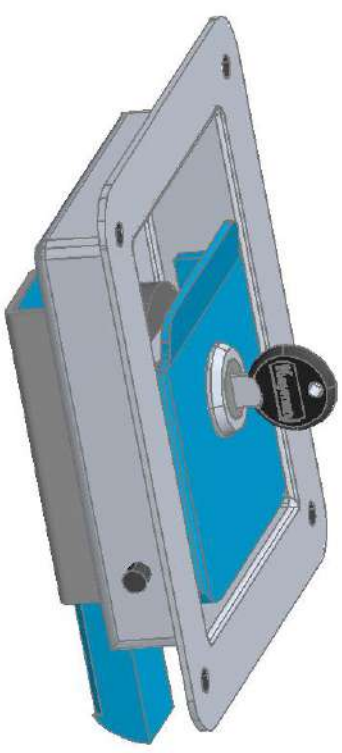
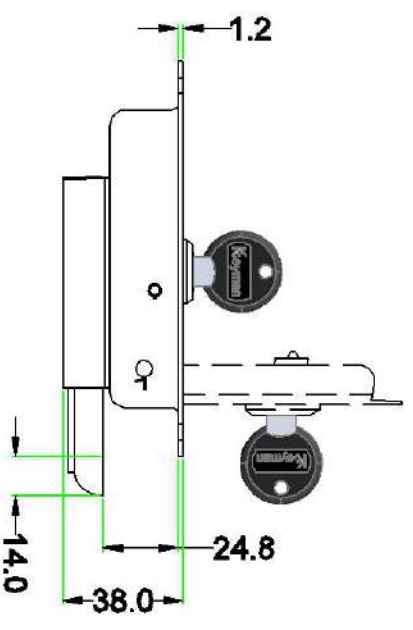
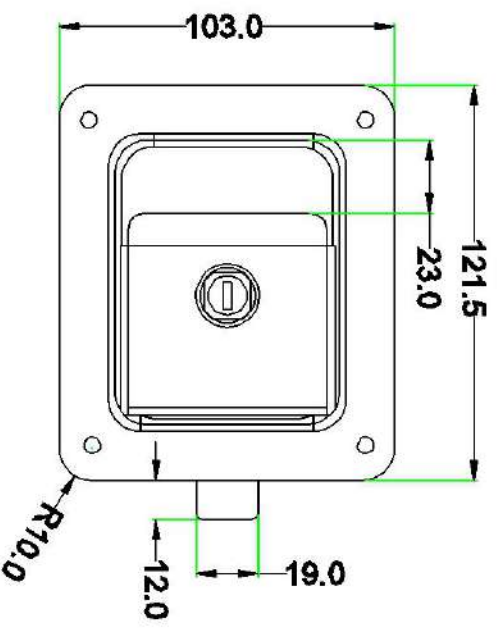
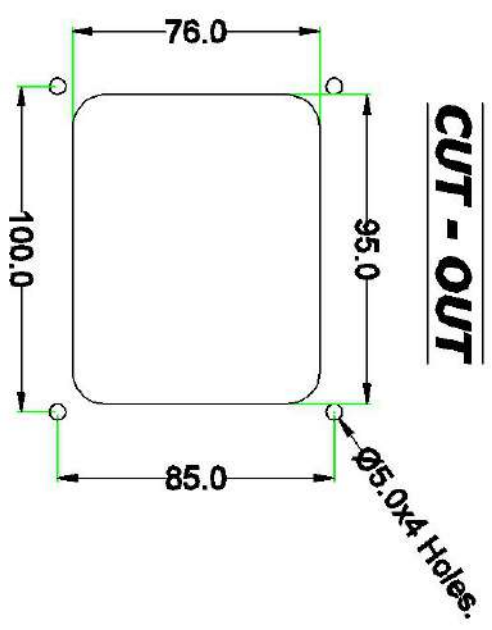


ALL DIMENSIONS IN MM



CUT - OUT



APPLICATION DRAWING FOR MODEL NO.
KP 08.2 S & KP 08.2 M (SLAM LATCH
SMALL LOCK)