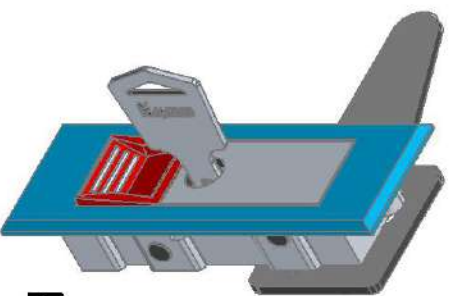
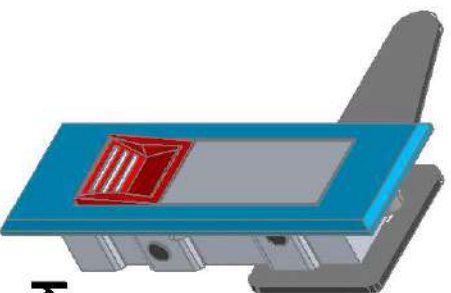
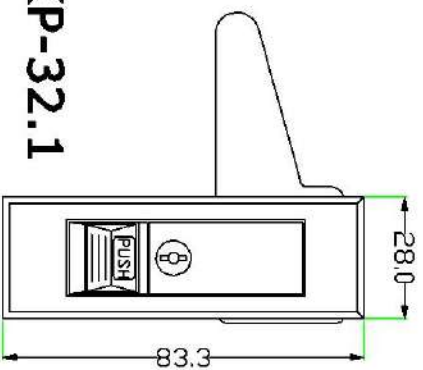


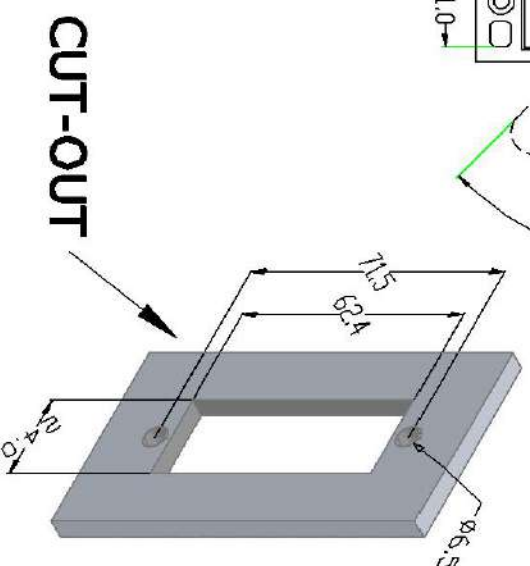
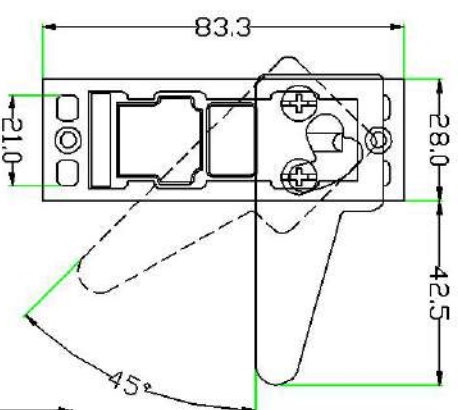
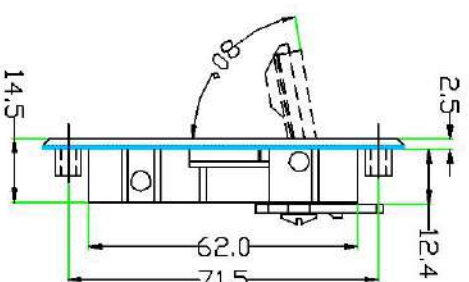
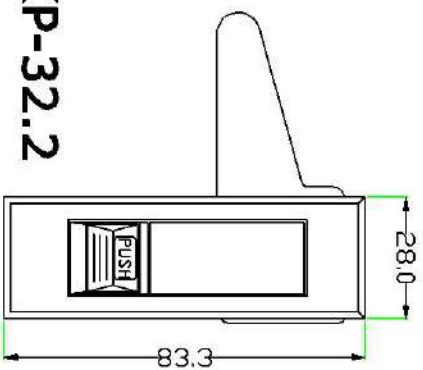
ALL DIMENSIONS IN MM



KP-32.1



KP-32.2



APPLICATION DRAWING FOR MODEL NO. KP 32.1/32.2
(ZINK PUSH LATCH LOCKABLE / NON LOCKABLE)