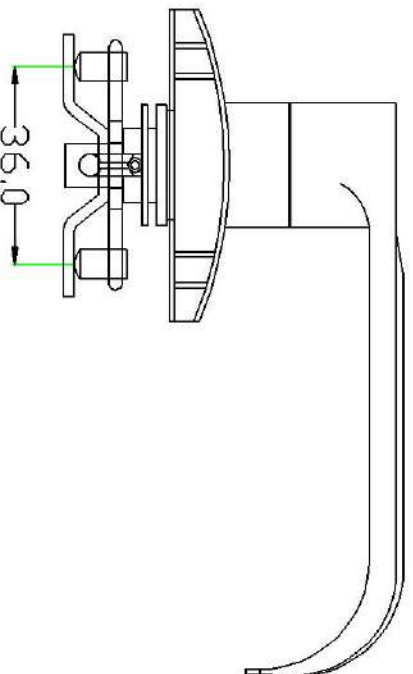
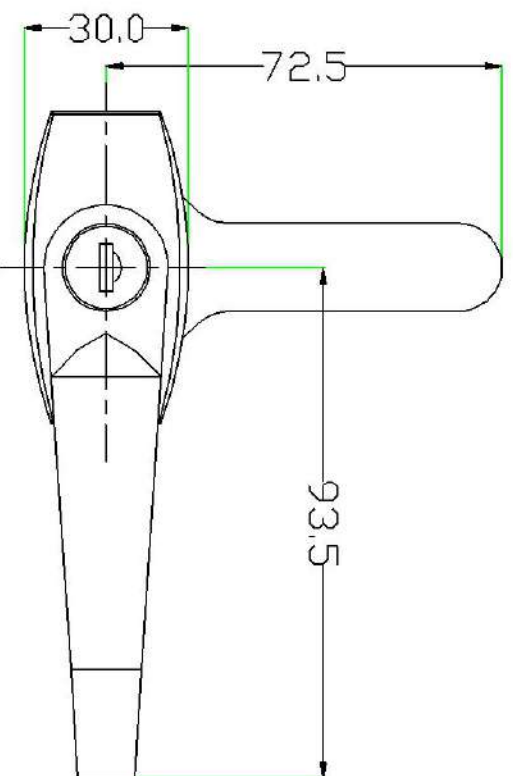
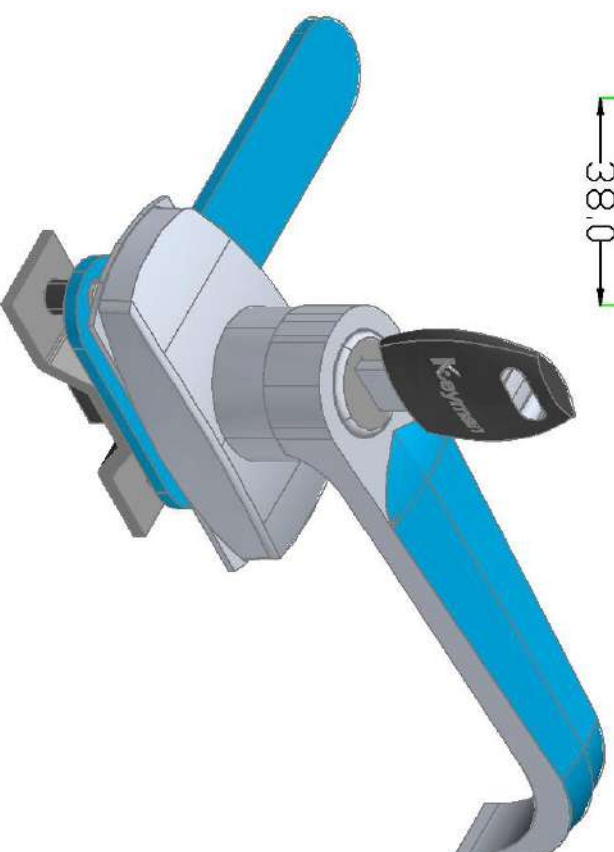
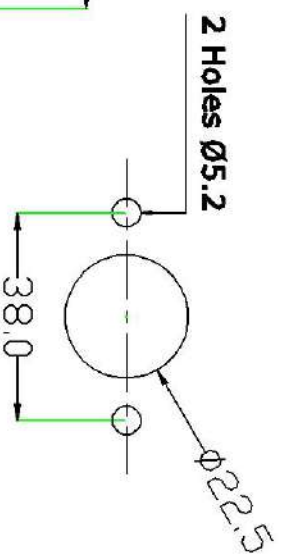


ALL DIMENSIONS IN MM



CUT-OUT



APPLICATION DRAWING FOR MODEL
NO. KP 34.01 (L HANDLE)