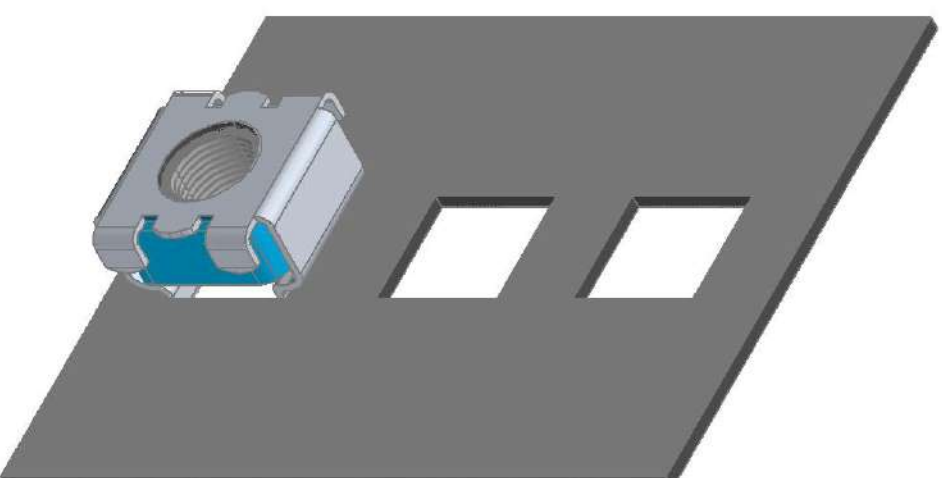
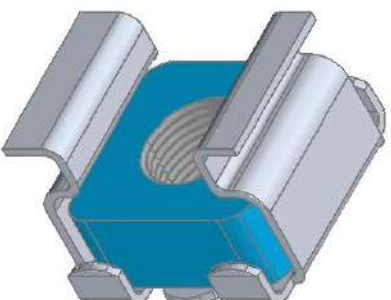
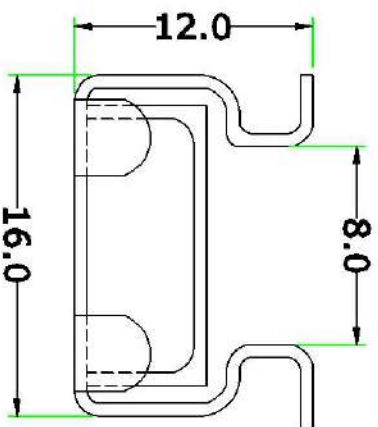
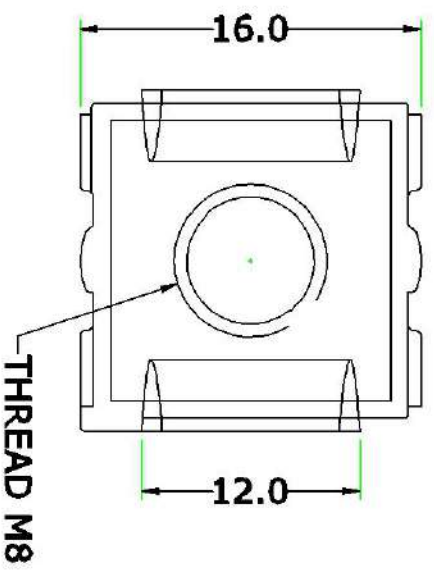


ALL DIMENSIONS IN MM



APPLICATION DRAWING FOR MODEL
NO. KP 12.3 (CAGE NUT)