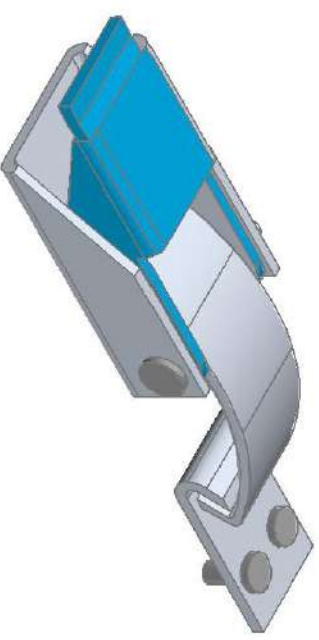
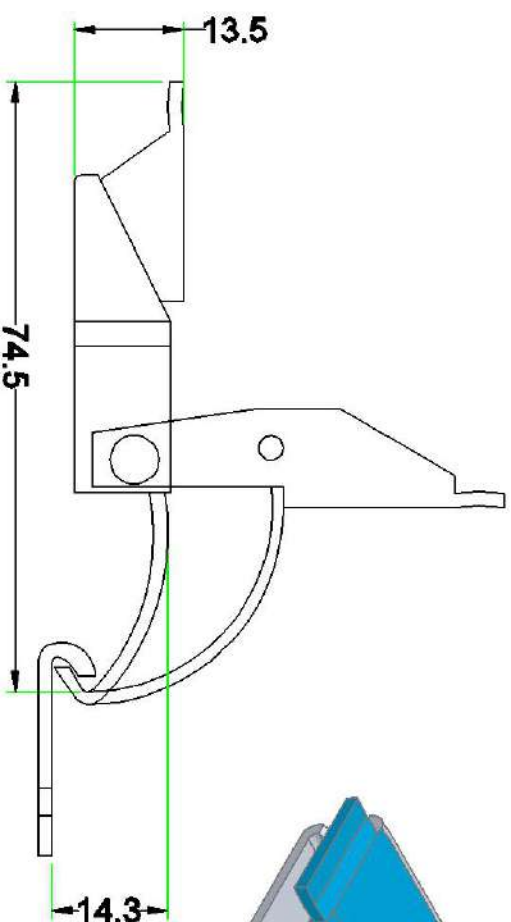
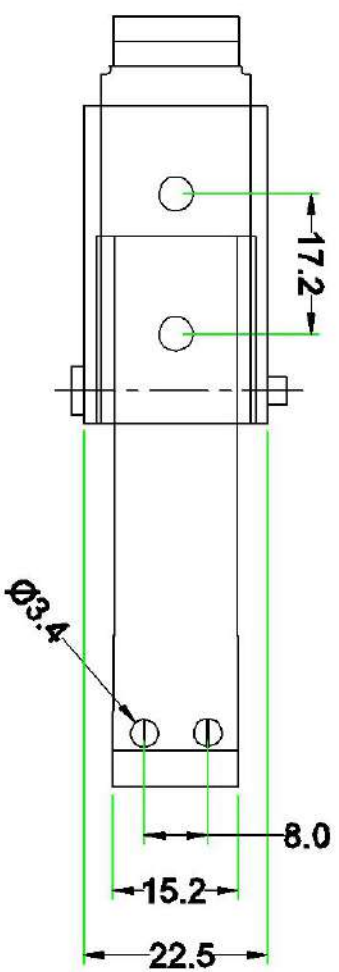


ALL DIMENSIONS IN MM



APPLICATION DRAWING FOR MODEL NO. KP
21.1 - KP 21.2 SS & MS (SNAP LATCH)



ALL RIGHTS RESERVED IN FAVOUR
OF KEYMAN LOCKING DEVICES
YEAR : 2018

PF - 08