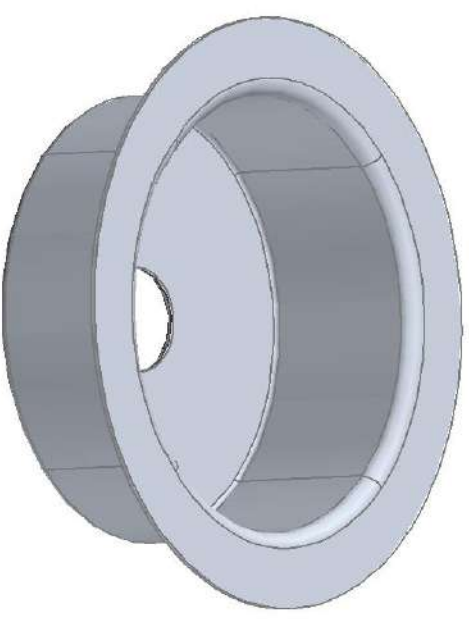
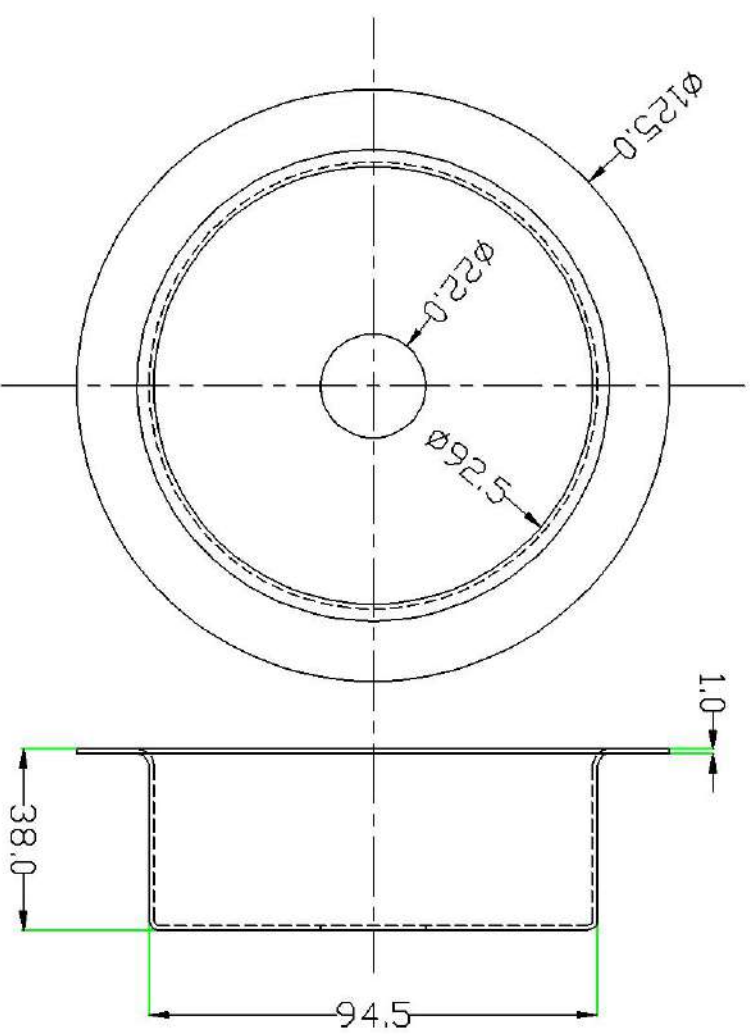


ALL DIMENSIONS IN MM



APPLICATION DRAWING FOR MODEL  
NO. KP 30.1 M/S (EMERGENCY BOWL)