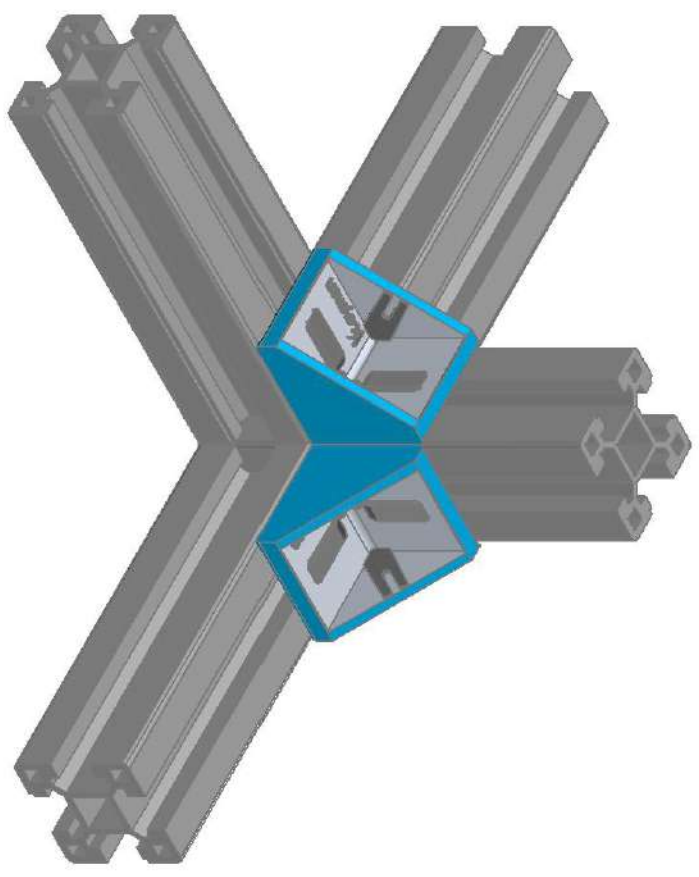
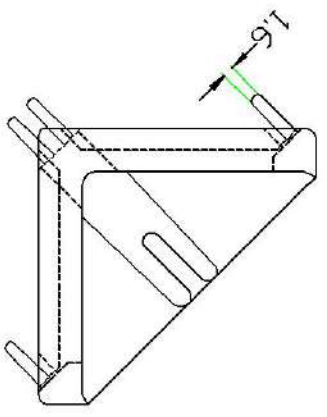
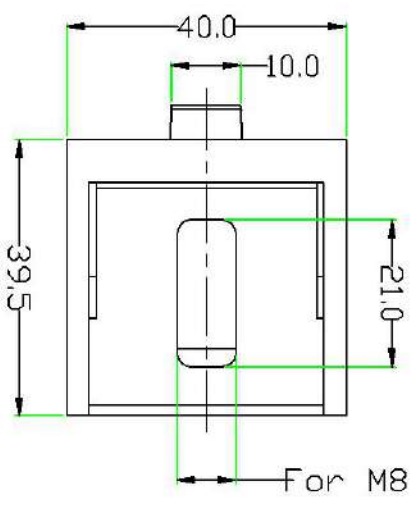
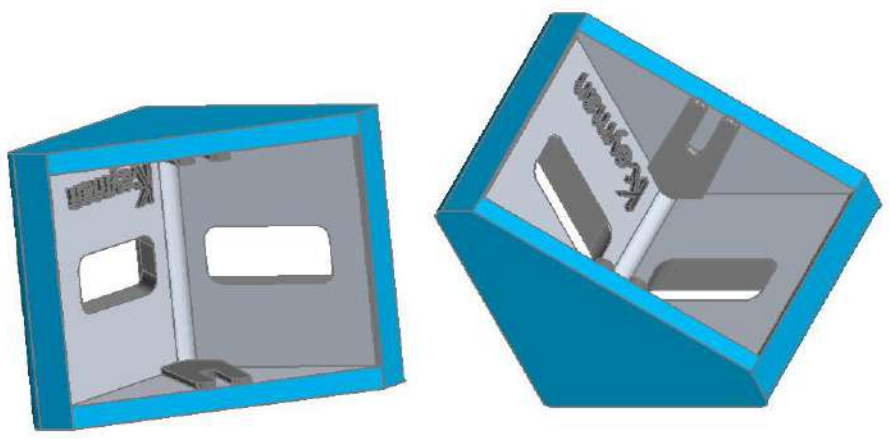


ALL DIMENSIONS IN MM



APPLICATION DRAWING FOR MODEL  
NO. KAP 29.2 (ANGLE BRACKET 40/45)