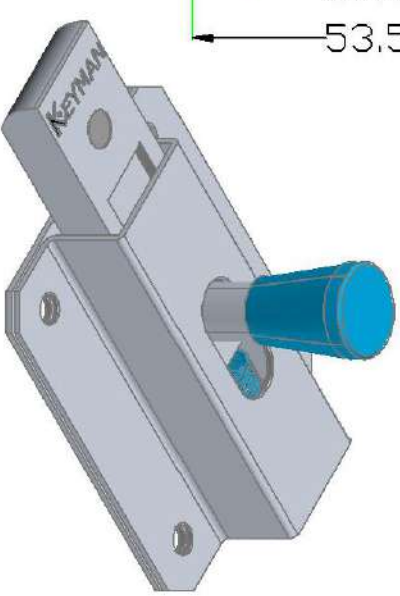
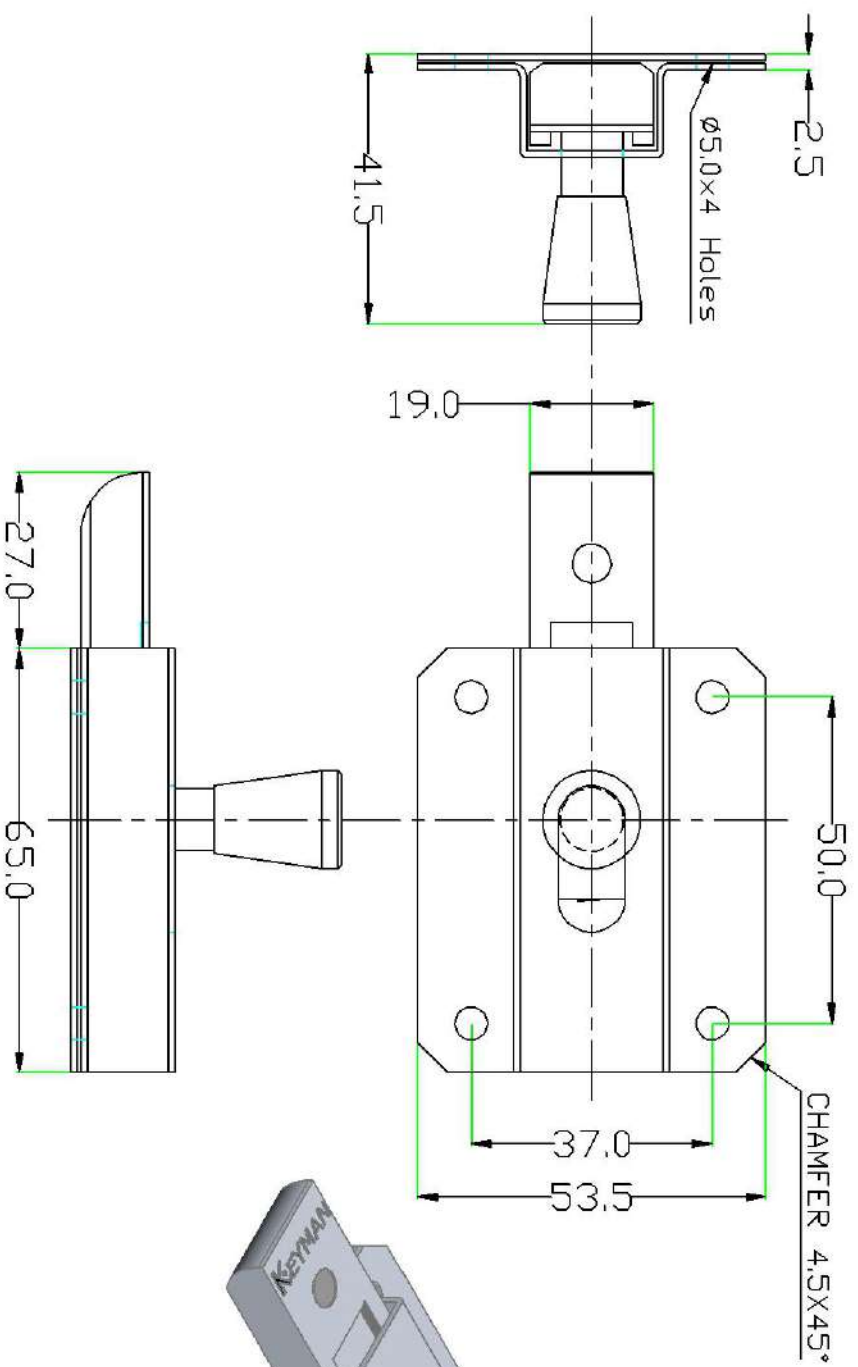


ALL DIMENSIONS IN MM



APPLICATION DRAWING FOR MODEL NO.  
KP 33.1 M/S (SPRING LOADED BOLT)



ALL RIGHTS RESERVED IN FAVOUR  
OF KEYMAN LOCKING DEVICES  
YEAR : 2018

PF - 24