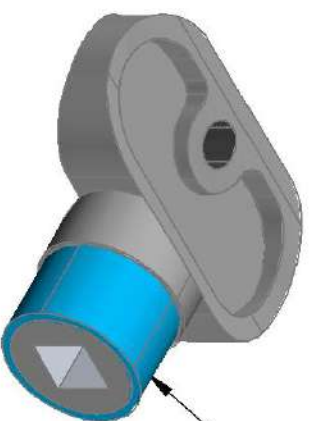
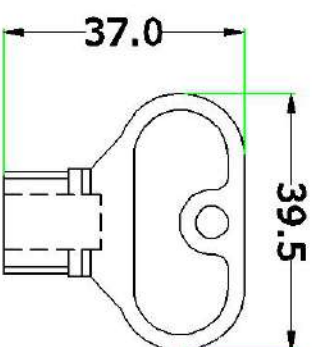
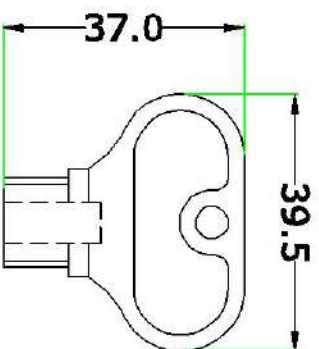
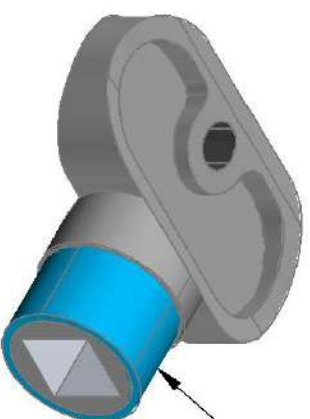


ALL DIMENSIONS IN MM



M.S RING



M.S RING

KP 24.4.R6
6mm sq.with ring

KP 24.5.R8
8mm sq.with ring

APPLICATION DRAWING FOR MODEL NO.
KP 24.4.R6 & 24.5.R8 (NYLON PANEL KEY
WITH RING)

PH - 03



ALL RIGHTS RESERVED IN FAVOUR
OF KEYMAN LOCKING DEVICES
YEAR : 2018